

MD



# User Manual

Plastic scoop stretcher

REF WSX-E5



**Attention:** Read this manual before operating.  
Contact us if any questions.



**Jiangyin EVERISE Medical Equipment Co.,Ltd**

**Add:**1001Chengyang Road, Jiangyin City, Jiangsu Province, China.

**Tel:** 86-510-86900900

**Fax:** 86-510-86900111

**Code:** 214423

**Website:** [www.EVERISEmedical.com](http://www.EVERISEmedical.com)

## 1. Description

- ❖ The WSX-E5 is an emergency patient –handling scoop stretcher. The stretcher is designed to aid the moving of a patient when space is limited or when the patient requires moving with the minimum amount of movement to the body.
- ❖ The stretcher should be operated in accordance to the protocols of the country where it is used.
- ❖ The stretcher is for professional use after adequate training has been taken and should be lifted with a minimum of 2 operators.
- ❖ The stretcher is constructed in two halves which uncouple, after uncoupling slide the two parts under the patient then re-connect ready for lifting.
- ❖ The length of the stretcher can be adjusted according to the length of the patient's body.
- ❖ The foot-end is designed as a narrow-frame structure for the stretcher's use in confined places.
- ❖ The stretcher is supplied with a set of three patient restraint straps
- ❖ The length can be adjusted in 4 positions
- ❖ The stretcher is Radiolucent, it is available in X-ray &CT-scan procedure

## 2. Storing the Stretcher

- ❖ The stretcher can be folded for storage, unlock the locking pins on both sides of the stretcher. Fully extend the foot section by pulling it out until the hinges are visible. Lift the foot section and fold it over.

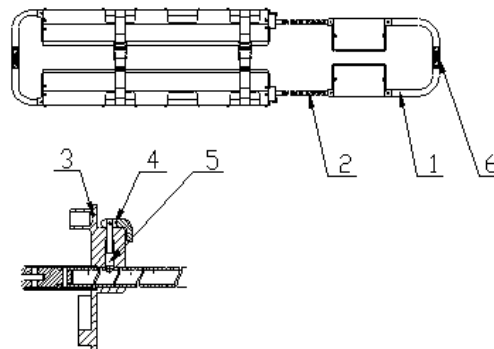
## 3. Parameters

Load weight	159kg
Net weight	7.5kg
Folding size	1180mm × 450mm × 85mm
Unfolded size	1640mm × 445mm × 65mm

## 4. Diagram

Scoop stretcher profile

- 1 Short hand rail
- 2 Companding bar
- 3 Block protection pipe sleeve
- 4 Stock locator block
- 5 Stock locator insert
- 6 Joint elements

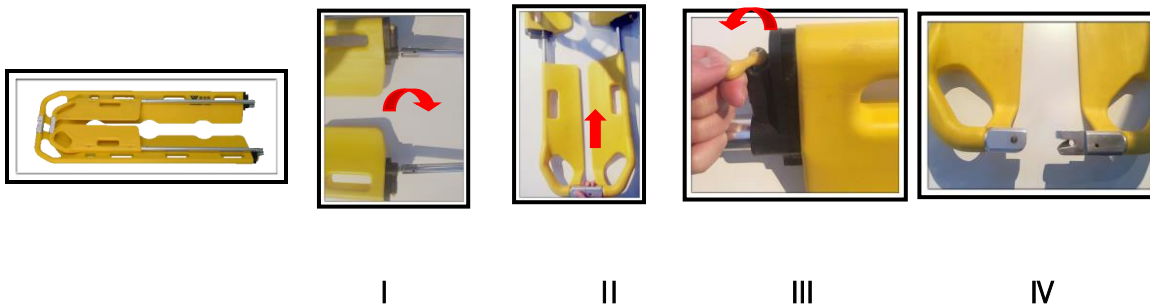


## 5. Instructions

1. Separation

Rotary lever to flip the level of short-form; the telescopic rod into the retaining plate and pipe kit, adjust to the right length, press the stock locator block, put the stock locator pip insert the stock hole, press the join elements at the ends of the stretcher, then the stretcher can be separate to left & right part. Move the patient to the hip underground.

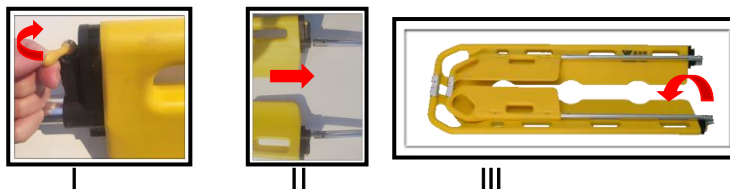
- Step:**
- I Reverse the short handrailing
  - II Forward the compading bar
  - III Press the stock locator block
  - IV Press the join element, separate the stretcher



**2. Folding operation**

Put the stock locator block upward; push the companding bar to the longest; long folding (also fold after separate to left and right part) enable to make it meet the need of packing.

- Step:**
- I Upward the stock locator block
  - II Push the companding to outward to the longest
  - III Long folding



**△,!**      **A t t e n t i o n**

**Before lifting the stretcher fasten the restrain**

**6、 Maintaining**

Filling the lube oil in the place of fold, elements regularly, to make sure it can always fold smoothly.

**△,!**      **A t t e n t i o n**

**Prohibit regulation and rough operation, unable to use it over the load capacity, in case of the damage under the improper use.**

We declare that the device complies with MDR 745/2017 "Medical Devices  
It is necessary to report any serious accident occurring in relation to the DM to the Manufacturer and the competent authorities

